

WAREFORCE®

WAREFORCE® UH30

Project _____
Item _____
Quantity _____
CSI Section 11400 _____
Approval _____
Date _____

WAREFORCE® UH30

Models

WAREFORCE® UH30



Standard Features

- Automatic fill
- Push button start
- Labyrinth type door design
- Automatic pumped drain for floor and wall drain installations
- Pre-installed water pressure regulator
- Stainless steel wash pump
- Electromechanical components
- Manual override for extended wash and deliming
- Simplified controls allow easy access for operation and service
- Door safety switch
- Pumped drain
- One (1) each peg and combination rack included
- Above water scrap basket
- Built-in chemical pumps for detergent and rinse aid

Mandatory Specs

Specify voltage _____

Options

- Water Hammer Arrestor
- Back Panel
- Drain Quench System
- 480V Electrical
- Scale Prevention System (SPS)
- Replacement Cartridges for SPS (2-pack)
- Tie Down

Accessories

- 36-Compartment Rack
 - 4-1/8" tall (105 mm)
 - 5-5/8" tall (143 mm)
 - 7" tall (178 mm)
- Combination Rack
- Peg Rack
- Machine Stand
 - 6" (152 mm) high
 - 18" (457 mm) high

Specifications

Uses 1.1 gallons (4.2 liters) of water per rack
Uses 26.4 gallons (99.9 liters) of water per hour
Cleans 24 racks per hour
Two minute automatic cycle
Powerful 3/4 hp wash pump motor
Built-in booster heater
Fresh water rinse eliminates wash water contamination
Air insulated between body and stainless steel housing
Sani-Sure™ feature assures proper rinse water temperature
304 stainless steel construction
Unique timer allows the machine to be customized for extended cycle times

Notes:

A vent hood is not recommended above the WAREFORCE® UH30 as it does not produce excessive vapors. *Always check with the local building code to know what type of ventilation is required for commercial dish machine installations in your area.*

Normal operation of the WAREFORCE® UH30 generates steam that may escape from the door. Materials such as wood laminate, veneers, etc. are unsuitable for use in areas exposed to dishwasher steam and detergents. Stainless steel or other moisture-resistant shields are recommended for surfaces adjacent to WAREFORCE® UH30 sides and top.



SHIPPING ADDRESS

6209 North U.S. Highway 25E
Gray, KY 40734

MAILING ADDRESS

P.O. Box 1060
Barbourville, KY 40906

Tel: 1-888-800-5672

Fax: 606-523-1799



WAREFORCE®

WAREFORCE® UH30

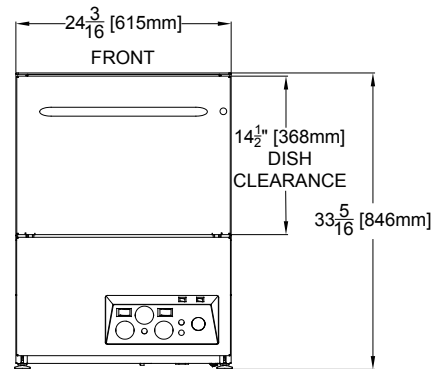
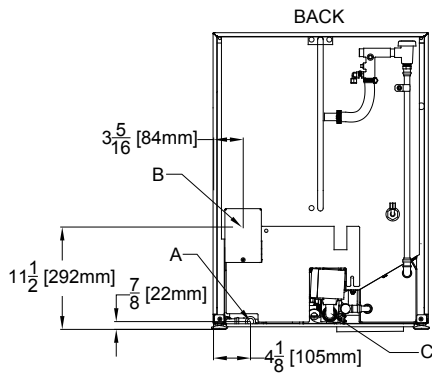
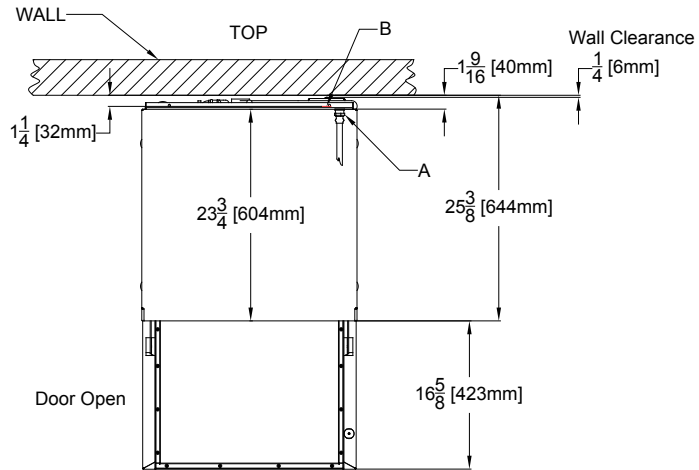
LEGEND:

A - Water Inlet - 1/2" Female Pipe Thread, 2 1/2" AFF (Connect to a true 1/2" ID water line)

B - Electrical Connection

C - Drain Connection - 10' coiled drain hose. Shipped inside machine. Must be installed no more than 24" AFF.

All dimensions from floor can be increased 1" with adjustable feet supplied.



MODEL NO.	MACHINE DIMENSIONS				WALL CLEARANCE	SHIPPING INFORMATION					
	INSIDE CLEARANCE HEIGHT	INSIDE CLEARANCE WIDTH	INSIDE CLEARANCE DEPTH	DOOR OPEN DEPTH		WEIGHT	CLASS	CUBE	HEIGHT	WIDTH	DEPTH
WAREFORCE® UH30	14-1/2" (368 mm)	20" (508 mm)	20" (508 mm)	42" (1067 mm)	1/4" (6 mm)	248 lbs (112 kg)	92.5	23.3 cu. ft.	42" (1067 mm)	33" (838 mm)	29" (737 mm)

APPROXIMATE TOTAL LOAD AMPS	
208/60/1	38.8
230/60/1	42.3

ELECTRICAL REQUIREMENTS	
Wash pump	3/4 hp

WATER REQUIREMENTS	
Gallons per rack	1.1 gal (4.2 L)
Gallons per hour	26.4 gal (99.9 L)
Flow pressure (PSI)	15 - 25
Waterline size (IPS)	1/2"
Drainline size OD	1 - 3/8"

OPERATING CAPACITY	
Racks per hour	24
Dishes per hour	600
Glasses per hour	864

OPERATING CYCLE	
Wash cycle (seconds)	82
Drain time (seconds)	28
Rinse time (seconds)	10
Total cycle (seconds)	120

OPERATING TEMPERATURES	
Wash	150 °F (65.6 °C)
Rinse	180 °F (82.2 °C)

HOW TO SPECIFY: WAREFORCE® UH30

SHIPPING ADDRESS
6209 North U.S. Highway 25E
Gray, KY 40734

MAILING ADDRESS
P.O. Box 1060
Barbourville, KY 40906

Tel: 1-888-800-5672
Fax: 606-523-1799

07610-003-68-65 (11/09/11)

